

## AV-D32 (D Series) Dynamic Mount

Tilt and swivel · Double arm

### Features

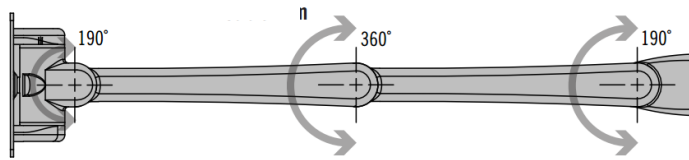
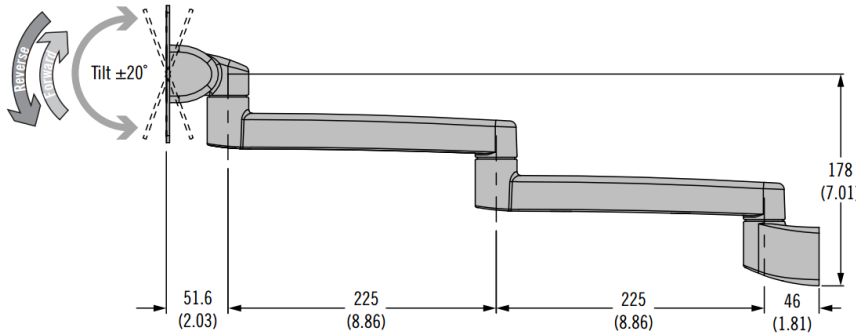
- Intuitive grab and move operation enhances the user experience
- No knobs or tools required to reposition the display
- Precise control of operating effort ensures ideal "feel" and eliminates "drift"
- Holds securely, even in applications with dynamic loading
- Consistent repeatable operation
- Fully enclosed for optimum cleanability
- Snap-on wire management cover
- Factory assembled and ready for use
- VESA MIS-D, 100, C compliant
- Available in black or white

### Material

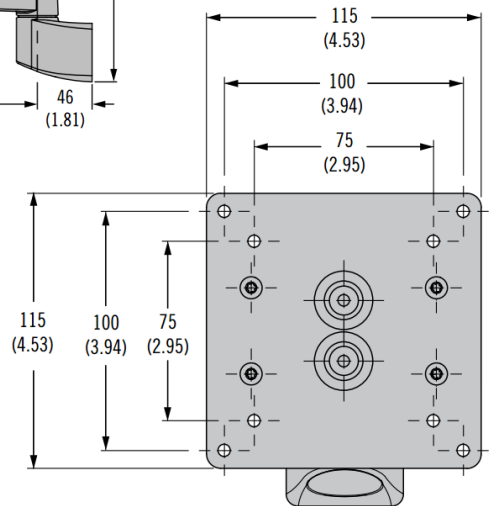
- Aluminum alloy, powder coated

### Product Performance

- Cycle performance: 20,000 cycles
- Max. dynamic working load:
  - Model 101 and 103: 70 N
  - Model 102: 100 N
- Average ultimate load:
  - Double arm: 755 N
- Note: Double arm not recommended for displays over 5.4 kg

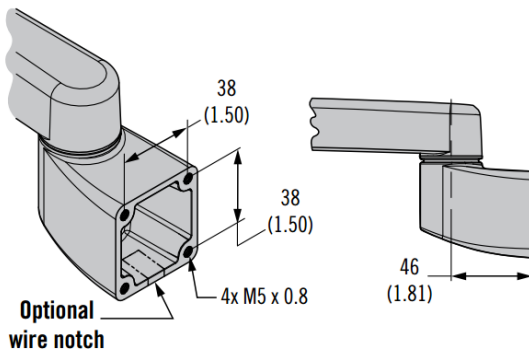


### Display Mounting Plate

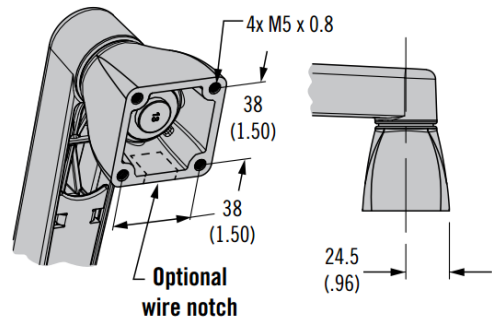


### Mounting Options

#### Wall Mount



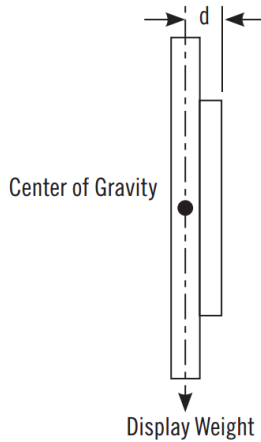
#### Table Mount



## Specification and Selection

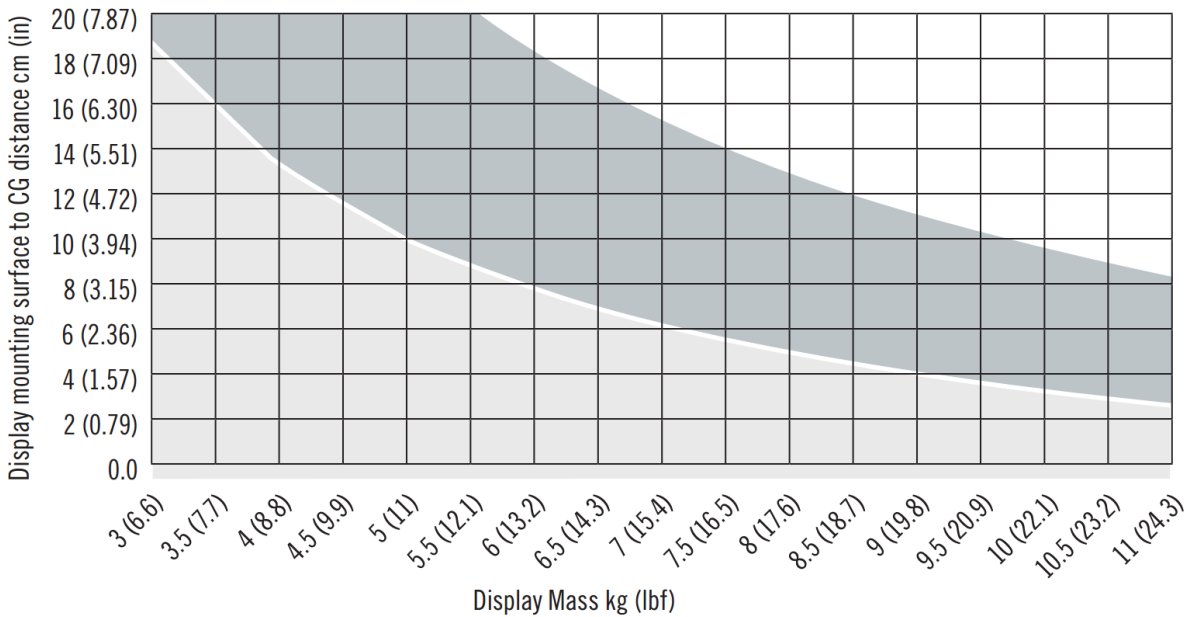
### Step 1

Determine display weight and distance (d) from mounting surface to center of gravity.



### Step 2

Use chart below to select model (101, 102 or 103).

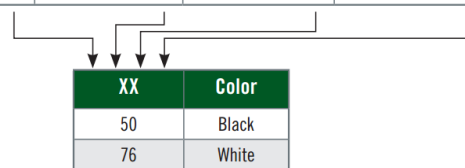


Model 102  
Model 101, 103

### Step 3

Complete part number by selecting length and color options below.

Style	Model	Tilt Torque N-m (in-lbf)		Swivel Torque N-m (in-lbf)			Part Number			
		Reverse	Forward	At Display Mount	At Wall Mount	Center Joint	Wall Mount		Table Mount	
							No Notch	Wire Notch	No Notch	Wire Notch
Double arm	101	7.9 (70)	1.13 (10)	4.3 (38)	9.8 (87)	9.8 (87)	AV-D32-46D101-XX	AV-D32-46D111-XX	AV-D32-46D121-XX	AV-D32-46D131-XX
	102	15.4 (136)	2.26 (20)	4.3 (38)	9.8 (87)	9.8 (87)	AV-D32-46D102-XX	AV-D32-46D112-XX	AV-D32-46D122-XX	AV-D32-46D132-XX
	103	8.6 (76)	6.0 (53)	4.3 (38)	9.8 (87)	9.8 (87)	AV-D32-46D103-XX	AV-D32-46D113-XX	AV-D32-46D123-XX	AV-D32-46D133-XX



**Installation**